

PRODUCT INFORMATION PACKET

Model No: 184TTFCD6026

Catalog No: GT1013A

5 HP General Purpose Motor, 3 phase, 1800 RPM, 230/460 V, 184T Frame, TEFC
Three Phase TEFC Motors



Regal and Marathon are trademarks of Regal Beloit Corporation or one of its affiliated companies.
©2021 Regal Beloit Corporation, All Rights Reserved. MC017097E

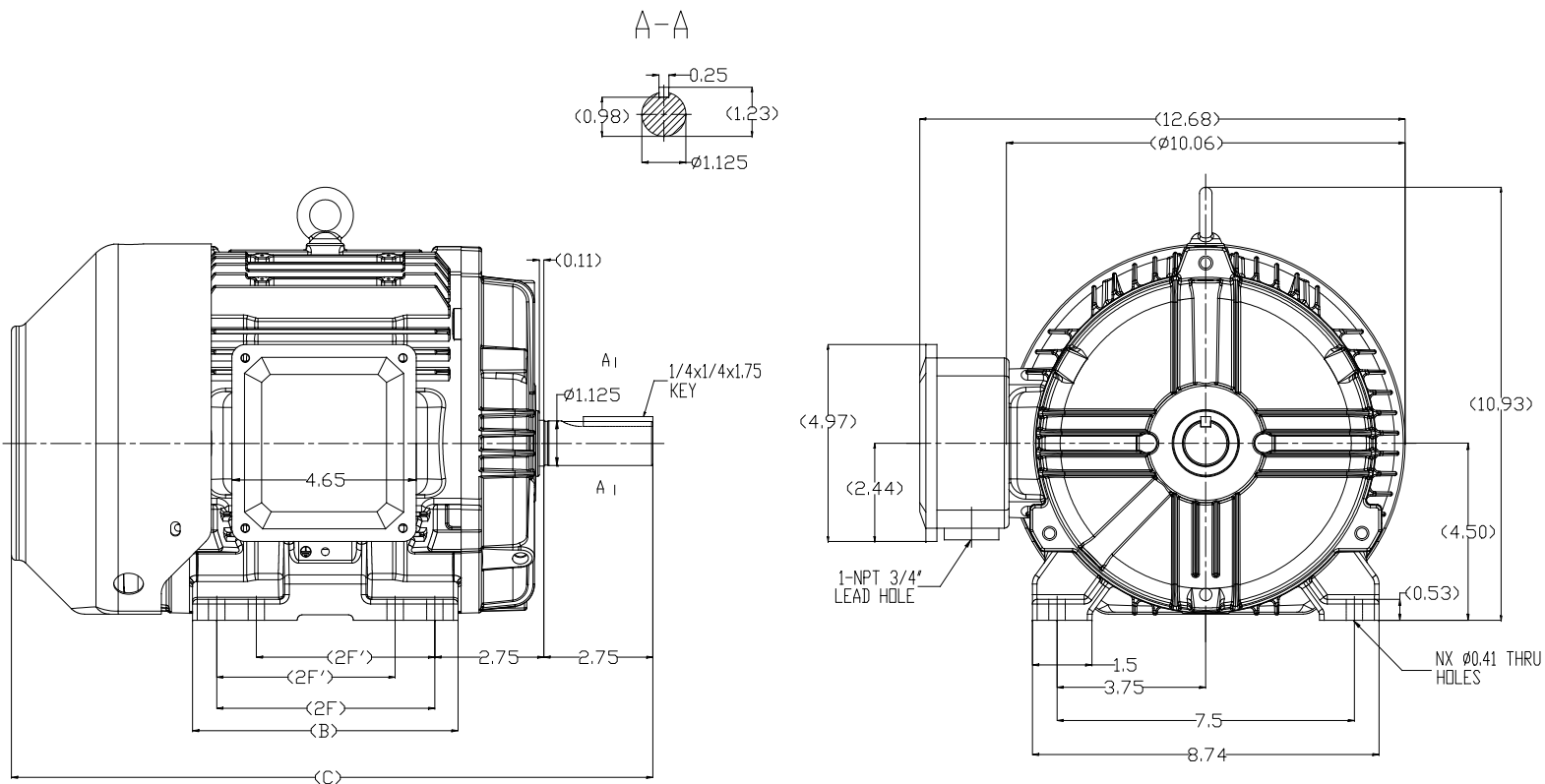
REGAL

Nameplate Specifications


| | | | |
|------------------------|----------------|----------------------------|-----------------------------|
| Output HP | 5 Hp | Output KW | 3.7 kW |
| Frequency | 60 Hz | Voltage | 230/460 V |
| Current | 13.2/6.6 A | Speed | 1765 rpm |
| Service Factor | 1.15 | Phase | 3 |
| Efficiency | 89.5 % | Power Factor | 80 |
| Duty | Continuous | Insulation Class | F |
| Design Code | A | KVA Code | K |
| Frame | 184T | Enclosure | Totally Enclosed Fan Cooled |
| Thermal Protection | No | Ambient Temperature | 40 °C |
| Drive End Bearing Size | 6206 | Opp Drive End Bearing Size | 6205 |
| UL | Listed | CSA | Y |
| CE | Y | IP Code | 55 |
| Hazardous Location | DIVISION 2 T2B | | |

Technical Specifications

| | | | |
|-----------------------|------------------------------|-----------------------|---------------------|
| Electrical Type | Squirrel Cage Inverter Rated | Starting Method | Line Or Inverter |
| Poles | 4 | Rotation | Selective Clockwise |
| Resistance Main | 2.75 Ohms | Mounting | Rigid Base |
| Motor Orientation | Horizontal | Drive End Bearing | Ball |
| Opp Drive End Bearing | Ball | Frame Material | Cast Iron |
| Shaft Type | T | Overall Length | 16.08 in |
| Frame Length | 6.85 in | Shaft Diameter | 1.125 in |
| Shaft Extension | 2.75 in | Assembly/Box Mounting | F1/F2 CAPABLE |
| Outline Drawing | SS620855 | Connection Drawing | EE7308 |



| | | | | | |
|-------|-------|------|------|------|---|
| 182T | 15.08 | 5.67 | 4.50 | / | 4 |
| 184T | 16.08 | 6.69 | 5.50 | 4.50 | 8 |
| FRAME | C | B | 2F | 2F' | N |

| | | | | | | | |
|--|-------------------------|-----------------------------|--------------|--|----------|-------------|--------------|
| | | TOLERANCES UNLESS SPECIFIED | |  REGAL-BELOIT CORPORATION | | DRAWN | WZ 8-11-2017 |
| | | DEC. | INCHES | | | CHK | WY 8-11-2017 |
| | | .X | ±.1 | TITLE | | OUTLINE | |
| | | .XX | ±.03 | 182/184T FR TEFC-CAST IRDN | | REF | |
| | | .XXX | ±.005 | MAT'L. | | FMF | WUXI |
| A | RELEASED FOR PRODUCTION | ECC-0141896 | BW 3/22/2018 | CD | XXXX | ±.0005 | |
| NO. | REVISION | | BY & DATE | CHK | ANG | ±1/2" | FINISH |
| THIS DRAWING IN DESIGN AND DETAIL IS OUR PROPERTY AND MUST NOT BE USED EXCEPT IN CONNECTION WITH OUR WORK ALL RIGHTS OF DESIGN AND INVENTION ARE RESERVED THIS IS AN ELECTRONICALLY GENERATED DOCUMENT - DO NOT SCALE THIS PRINT | | | | RFP | CAD FILE | | SS620855 |
| | | | | DIST | SIZE | DRAWING NO. | REV. |
| | | | | | B | SS620855 | A |



| NO. | REVISION | BY & DATE | CHK | ANG | TOLERANCES UNLESS SPECIFIED | | FINISH | DRAWN RM 11/20/1990 | | | | |
|--|--|----------------|-----|-------|-----------------------------|--------|--------------------------|---------------------|--------|--------------------|-----------|--------|
| | | | | | DEC. | INCHES | | | | | | |
| 5 | CHG TO REGAL LOGO | SL 09/10/2015 | AB | | | | | CHK ML 11/21/1990 | | | | |
| 4 | REVISED IEC NOTATIONS | MSG 11/15/2011 | CMN | .X | ±.1 | | | APPD SAS 04/24/2003 | | | | |
| 3 | ADDED IEC NOTATIONS... (U1), (V1) ETC. MU95194 | MSG 5/10/2010 | MJS | .XX | ±.02 | | TITLE CONNECTION DIAGRAM | SCALE 1=1 | | | | |
| 2 | ADDED THE OPTIONAL CORD CONNECTION MU46318 | RDH 04/24/2003 | DRS | .XXX | ±.005 | | 3Ø - DUAL VOLTAGE MOTOR | REF | | | | |
| 1 | REDRAWN | RM 11/20/1990 | | .XXXX | ±.0005 | | MAT'L. | FMF | | | | |
| | | | | | ±7'30" | | | PREV | | | | |
| THIS DRAWING IN DESIGN AND DETAIL IS OUR PROPERTY AND MUST NOT BE USED EXCEPT IN CONNECTION WITH OUR WORK ALL RIGHTS OF DESIGN AND INVENTION ARE RESERVED THIS IS AN ELECTRONICALLY GENERATED DOCUMENT - DO NOT SCALE THIS PRINT | | | | | | | RFP | CAD FILE ee7308 | SIZE A | DRAWING NO. EE7308 | PAGE OF 5 | REV. 5 |
| | | | | | | | DIST WP | | | | | |



**P.O. BOX 8003
WAUSAU, WI 54401-8003
PH. 715-675-3311**

CERTIFICATION DATA SHEET

CUSTOMER:

CUSTOMER

ORDER #:

PO#:

CONN. DIAGRAM: EE7308

MODEL #: 184TTFC6026 BB

OUTLINE: SS620855-184T

CUSTOMER PART

WINDING #: HE31124020 3

#:

MOUNTING: F1/F2 CAPABLE

TYPICAL MOTOR PERFORMANCE DATA

| HP | kW | SYNC. RPM | F.L. RPM | FRAME | ENCLOSURE | KVA CODE | DESIGN |
|-----|-----------|-----------|-----------|-------|-----------|----------|--------|
| 5&3 | 3.70&2.24 | 1800 | 1755&1462 | 184T | TEFC | J | B |

| PH | Hz | VOLTS | AMPS | START TYPE | DUTY | INSL | S.F. | AMB°C |
|----|-------|-----------------|-----------------|------------------|------------|------|-----------|-------|
| 3 | 60/50 | 230/460&190/380 | 13/6.5&10.2/5.1 | LINE OR INVERTER | CONTINUOUS | F7 | 1.15/1.15 | 40 |

| FULL LOAD EFF: | 89.5&86.5 | 3/4 LOAD EFF: | 89.5 | 1/2 LOAD EFF: | 88.5 | GTD. EFF | | ELEC. TYPE | |
|----------------|-----------|---------------|------|---------------|------|----------|--|-------------------|--|
| FULL LOAD PF: | 80&77 | 3/4 LOAD PF: | 75 | 1/2 LOAD PF: | 64 | 88.5 | | SQ CAGE INV RATED | |

| F.L. TORQUE | LOCKED ROTOR AMPS | L.R. TORQUE | B.D. TORQUE | F.L. RISE°C |
|-------------|-------------------|----------------|----------------|-------------|
| 15 LB-FT | 99 / 49.5 | 33 LB-FT 220 % | 42 LB-FT 290 % | 60 |

| SOUND PRESSURE @ 3 FT. | SOUND POWER | ROTOR WK^2 | MAX. WK^2 | SAFE STALL TIME | STARTS / HOUR | APPROX. MOTOR WGT |
|------------------------|-------------|------------|-----------|-----------------|---------------|-------------------|
| 50 dBA | 60 dBA | - LB-FT^2 | - LB-FT^2 | 15 SEC. | 2 | 111 LBS. |

***** SUPPLEMENTAL INFORMATION *****

| DE BRACKET TYPE | ODE BRACKET TYPE | MOUNT TYPE | ORIENTATION | SEVERE DUTY | HAZARDOUS LOCATION | DRIP COVER | SCREENS | PAINT |
|-----------------|------------------|------------|-------------|-------------|--------------------|------------|---------|---------------|
| STANDARD | STANDARD | RIGID | HORIZONTAL | FALSE | DIVISION 2 T2B | FALSE | NONE | BLUE (ENAMEL) |

| BEARINGS | | GREASE | SHAFT TYPE | SPECIAL DE | SPECIAL ODE | SHAFT MATERIAL | FRAME MATERIAL |
|----------|------|------------|------------|------------|-------------|-------------------------|----------------|
| DE | ODE | | | | | | |
| BALL | BALL | POLYREX EM | T | NONE | NONE | 1045 HOT ROLLED (C-204) | CAST IRON |
| 6206 | 6205 | | | | | | |

| THERMO-PROTECTORS | | | | THERMISTORS | CONTROL | SPACE HEATERS |
|-------------------|------------|----------|----------|-------------|---------|---------------|
| THERMOSTATS | PROTECTORS | WDG RTDs | BRG RTDs | | | |
| NONE | NOT | NONE | NONE | NONE | FALSE | NONE VOLTS |

| | |
|---|---|
| * N O T E S * | INVERTER TORQUE: CONSTANT 10:1/VARIABLE 10:1 INV. HP SPEED RANGE: NONE ENCODER: NONE NONE NONE NONE NONE PPR BRAKE: NONE NONE NONE P/N NONE NONE NONE NONE FT-LB NONE V NONE Hz |
|---|---|

PREPARED BY: Anusha Muthyala
DATE: 09/24/2019 01:48:24 AM
 FORM 3531 REV.3 02/07/99
 ** Subject to change without notice.

MARATHON ELECTRIC CORPORATION

TYPICAL PERFORMANCE CURVE for AC MOTOR

Customer

Curve at

460

Volts

HP 5&3

PHASE 3

Model No 184TTFC6026

60

HZ

VOLTS 230/460&190/380

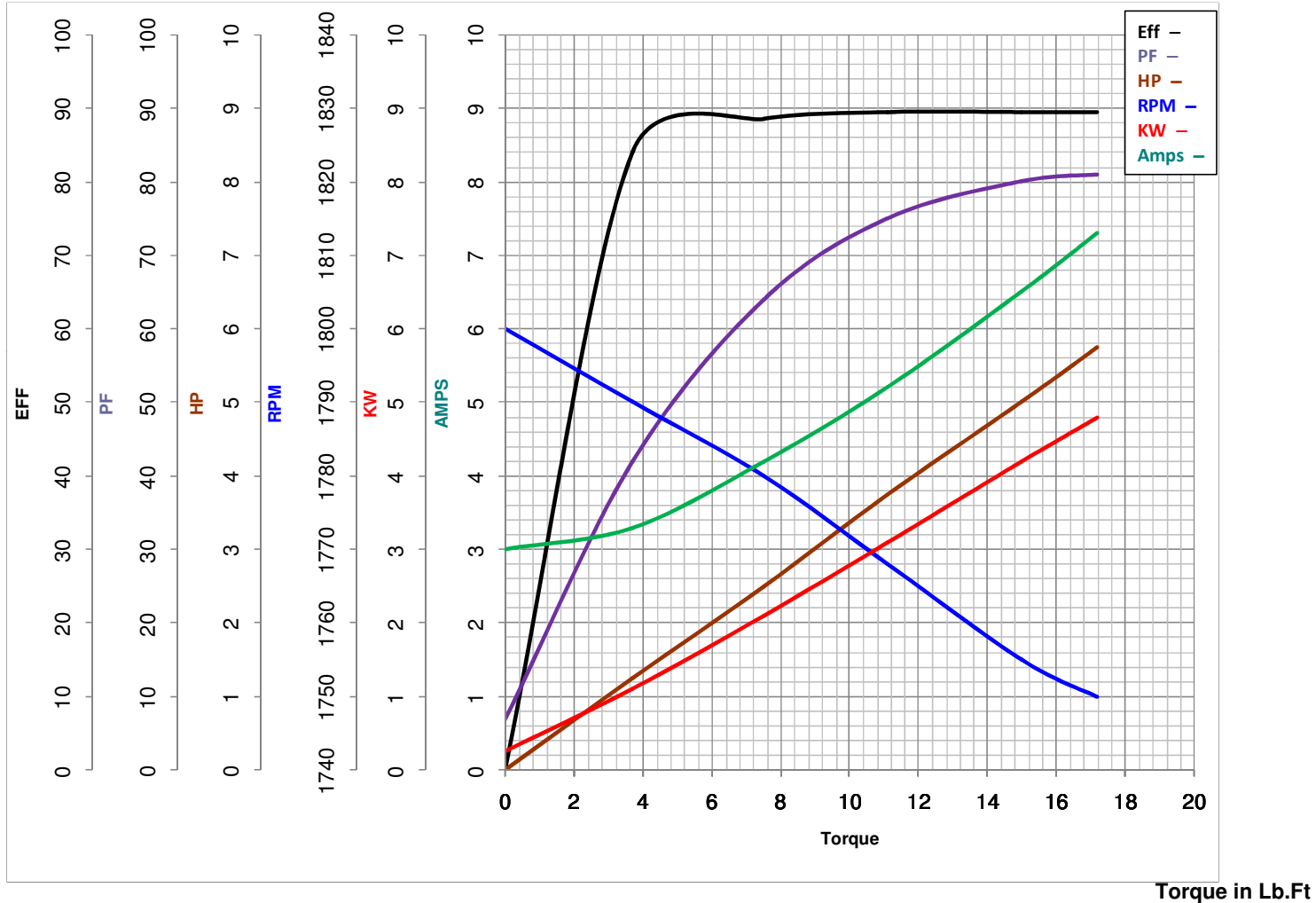
5

HP

Catalog No GT1013A

HZ 60&50

RPM 1755&1462



| | | | | | |
|-----------|--------------|-------------|-----------|---------------|----------|
| FL TORQUE | <u>15</u> | Lb.Ft | FL AMPS | <u>13/6.5</u> | |
| BD TORQUE | <u>42.0</u> | Lb.Ft | PU TORQUE | <u>27.0</u> | Lb.Ft |
| LR TORQUE | <u>33</u> | Lb.Ft | LR AMPS | <u>49.5</u> | |
| WINDING | HE31124020-3 | Prepared By | ANUSHA M | Date | 5/4/2018 |